

# ReSound

rediscover hearing

## USER GUIDE



10 CIC  
30 ITC  
40/50 ITE

RESOUND HEARING INSTRUMENT  
10 CIC (COMPLETELY-IN-THE-CANAL)  
30-D ITC (IN-THE-CANAL)  
40-D/50-D ITE (IN-THE-EAR)  
PERSONAL HEARING SYSTEM

Congratulations on the purchase of your new fully-digital GN ReSound hearing instrument!

GN ReSound's state-of-the-art hearing technology, together with the smallest possible size of a ITE (In-The-Ear) hearing instrument, will bring outstanding sound quality to your family, social and professional life.

Your hearing instrument has been adjusted to your individual hearing loss. Please familiarize yourself with the information in this booklet. Proper understanding and use of your new GN ReSound hearing instrument will allow you to derive maximum hearing benefit.

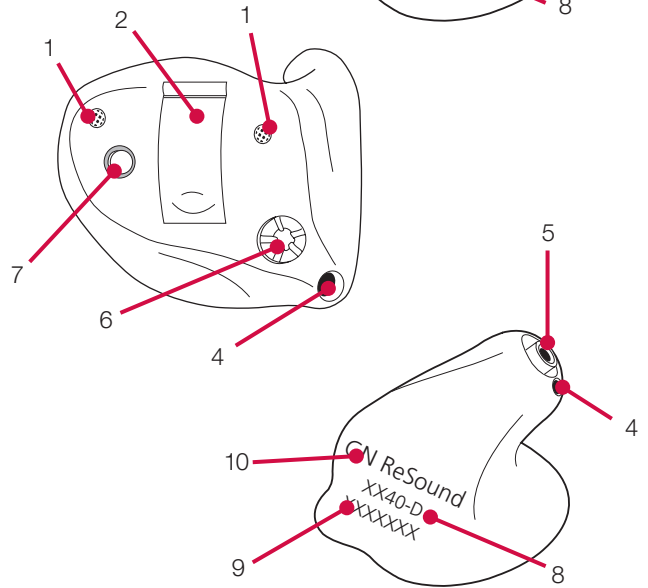
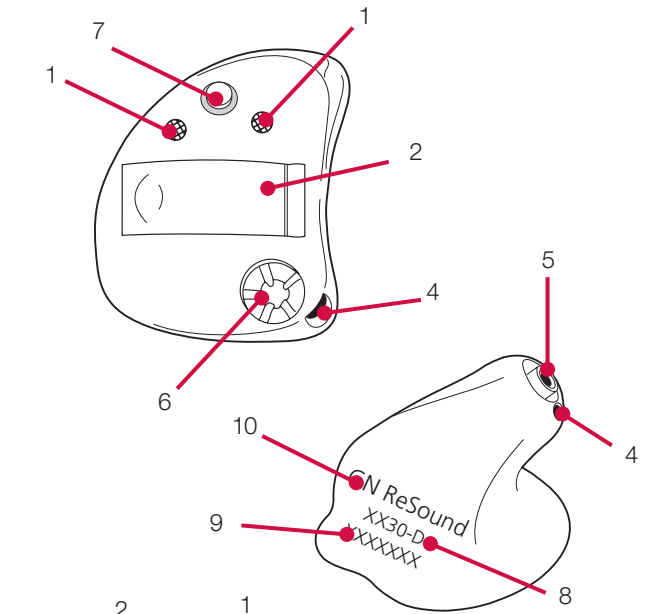
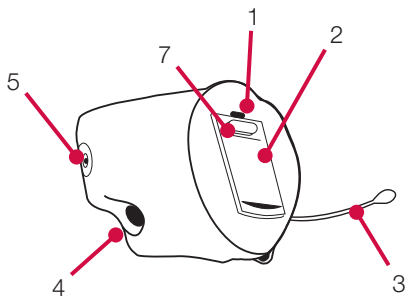
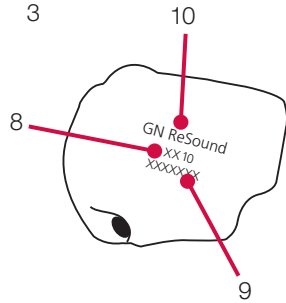
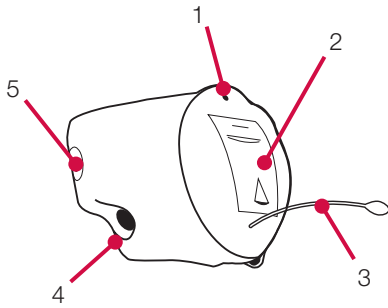
This instruction covers the following ReSound hearing instruments: 10, 10-P, 10-BP, 30, 30-D, 30-DP, 40-D, 40-DP, 50-D, 50-DP.

## Contents

	page
Your ReSound Hearing Instrument	4-5
Programme Selector	6
Your Programme Environments	7
Stand-by Function	7
On/Off Function	7
SmartStart	8
Low Battery Warning	8
Volume Control	8
Insertion of the Hearing Instrument	9
Removal of the Hearing Instrument	10
Changing the Battery	10
Battery Warning Information	11
Daily Maintenance	12
Cleaning the Microphone Sound Inlet	13
Changing the Sound Outlet Filter/ Cleaning the Sound Outlet	13
Telephone Use	14
Using Assistive Listening Systems	15
Repairs	15
Troubleshooting Guide	16-17
General Precautions	18
Technical Data	19
Key Word Index	20

# Your ReSound Hearing Instrument

- |                           |                       |
|---------------------------|-----------------------|
| 1. Microphone Sound Inlet | 6. Volume Control     |
| 2. Battery Compartment    | 7. Programme Selector |
| 3. Removal Cord           | 8. Model              |
| 4. Air Vent               | 9. Serial Number      |
| 5. Sound Outlet           | 10. Manufacturer      |



## Programme Selector

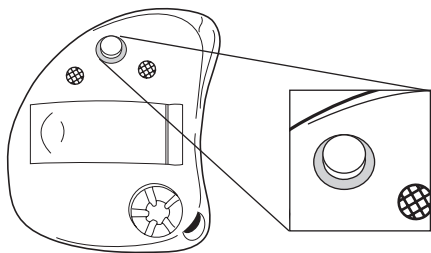
Your hearing care professional has most likely programmed multiple programmes into your instrument. You can select programmes simply by depressing the programme selector once. You will then hear one or more “beeps”, indicating which programme you have selected. Your hearing instrument will switch programmes as follows:

Example with 4 programmes: 1 → 2, 2 → 3, 3 → 4, 4 → 1

Example with 3 programmes: 1 → 2, 2 → 3, 3 → 1

Example with 2 programmes: 1 → 2, 2 → 1

You can always return to programme 1 by turning your instrument off and then on again or by placing it in stand-by mode and then returning to its normal function mode.



## Your Programme Environments

Programme	Description of when to use

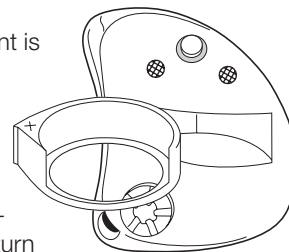
## Stand-by Function

To put the instrument into stand-by mode, hold down the programme selector for 5 seconds. You will hear a series of beeps, and the device is now in stand-by mode.

Before returning to functional mode, you will need to wait approximately 5 seconds. After waiting, press the programme selector once. Please note that the instrument is using a small amount of power when in stand-by mode.

## On/Off Function

Your ReSound hearing instrument is equipped with an on/off switch integrated into the battery compartment. When the battery compartment is fully closed, the instrument is turned on in its functional mode and programme 1 will be activated. To turn the instrument off, open the battery compartment with your fingernail. Whenever you are not wearing the instrument, remember to turn it off to reduce battery consumption.



## SmartStart

SmartStart allows you the possibility for inserting the instrument in the ear without annoying sounds like squealing. It delays the switch on time 10 seconds after closing the battery compartment, and is indicated by a beep every second after closing the battery compartment.

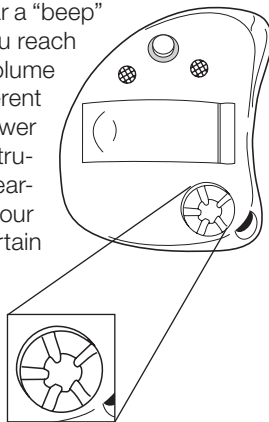
## Low Battery Warning

When the battery voltage/power decreases to a low level, the instrument will inform you by a soft low-battery-warning signal (beep-beep). The signal indicates you should replace the battery, why it is recommended that you always keep a spare battery. The battery-warning signal will be repeated every 5-10 minutes until the battery runs out of power. The instrument will then automatically switch off.

## Volume Control (optional)

Your instrument might be equipped with a volume control. With the volume control you can turn the volume up and down. When wearing the instrument, you can increase the volume by turning the volume control wheel towards the front, and reduce volume by turning it towards the back. For each volume step, you will hear a “beep” signal indicating the change. If you reach the upper or lower limit of the volume control range, there will be a different type of “beep” signal with a lower pitch. Please note that your instrument has been fitted by your hearing care professional and that your hearing loss has required a certain amount of amplification.

This means that you may not be able to increase the volume as much as you can decrease it.



## Insertion of the Hearing Instrument

To insert the hearing instrument into your ear:

1. Grip the instrument with your thumb and forefinger, either above and below or on the sides (as shown) with the programme selector on top.
2. Place the sound outlet portion into your ear canal.
3. Insert the hearing instrument carefully with a slight “corkscrew” motion.

By experimenting, you may find a method that is easier for you. When properly inserted, the instrument should fit comfortably and tightly in your ear. It is important that the custom shell fits correctly into your ear. If your hearing instrument irritates your ear in any way and prevents you from wearing your hearing instrument, please contact your hearing care professional to have the custom shell modified. You should never attempt to modify the shape of the custom shell yourself.



## Removal of the CIC Hearing Instrument

To remove the hearing instrument, simply grasp the removal cord with your thumb and forefinger and pull outward. Consult your hearing care professional if you have difficulty removing the hearing instrument.

## Removal of the ITC & ITE Hearing Instrument

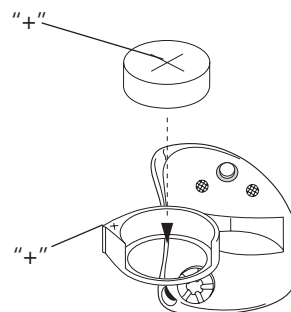
To remove the hearing instrument:

1. Gently massage behind your earlobe with an upward and downward motion to dislodge the instrument.
2. Place your thumb on the bottom and forefinger on the top of the instrument, and carefully remove the instrument out of your ear canal with a slight “corkscrew” motion.

By experimenting, you may find a method that is easier for you. Consult your hearing care professional if you have difficulty removing the hearing instrument.

## Changing the Battery

Open the battery compartment completely using your fingernail, as described earlier. After removing the old battery, insert the new one with the “+” (flat) side facing the “+” on the battery door. It should fit in like a puzzle piece. The battery door should close very easily. Never use force to close the door as this may damage your hearing instrument.



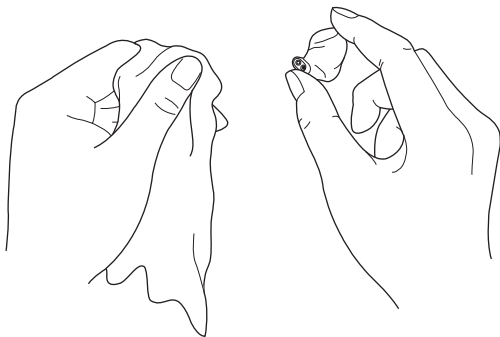
Always use the correct zinc-air battery size for your instrument. Please note that if the battery is weak, the hearing instrument performance will be reduced. Removing the battery when you are not wearing the instrument will help prevent corrosion of the battery contacts and reduce battery consumption.

## Battery Warning Information

Batteries contain dangerous substances and should be disposed of carefully in the interest of your safety and for the environment.

- Do NOT attempt to recharge batteries which are not specifically designated rechargeable as they may leak or explode.
- Do NOT attempt to dispose of batteries by burning them.
- Keep batteries away from small children and pets.
- Do NOT place batteries in your mouth.

If swallowed, see a physician immediately.



## Daily Maintenance

Keep your hearing instrument clean and dry. Wipe the case with a soft cloth or tissue after use to remove grease or moisture. If the instrument has been exposed to high humidity or perspiration, enclose it in a sealed container together with a drying agent (desiccator) overnight. Consult your hearing care professional concerning which drying agent to use.

To avoid the need for unwarranted repairs:

- Never immerse the instrument in water or other liquids since this may cause permanent damage to the circuitry.
- Protect your hearing instrument from rough handling, and avoid dropping it on hard surfaces or floors.
- Do not leave the instrument in or near direct heat or sunlight since excessive heat can damage the instrument or deform the casing.

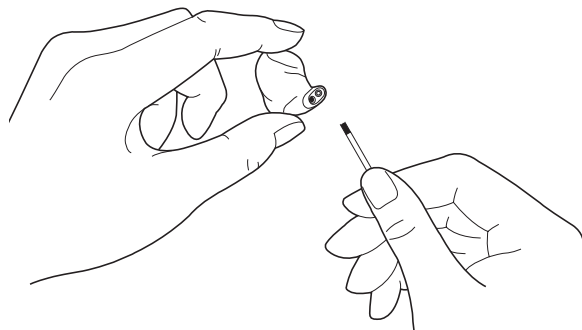
## Cleaning the Microphone Sound Inlet

For proper function of the microphone, it is important to clean the sound inlet to remove dust or other sound disturbing debris. The soft brush, provided with your hearing instrument, can be used for this purpose. Your hearing care professional can instruct you on how to properly use this tool.

## Changing the Sound Outlet Filter/ Cleaning the Sound Outlet

Your ReSound hearing instrument may be equipped with a sound outlet filter (consult your hearing care professional). This filter is located at the end of the sound outlet and prevents debris from getting into the hearing instrument. If the hearing instrument seems to have lost power and changing the battery does not help, the filter may be blocked, and needs to be changed. Your hearing care professional can instruct you on how to change the filter.

If your hearing instrument does not have a filter, ear wax and/or other debris may collect in the sound channel. The cleaning loop, provided with your hearing instrument, can easily be used to remove this material. Your hearing care professional can instruct you on how to properly use this tool. When using this tool, be careful not to damage or pull the tubing found at the opening of the sound outlet. If this is pulled out, the hearing instrument may need to be returned for repair.



## Telephone Use

Your hearing instrument may be equipped with an induction coil (telecoil) which picks up magnetic emanations from a hearing instrument compatible telephone. Your hearing care professional can programme one of your listening programmes to take advantage of the telecoil. By selecting the telecoil programme, the hearing instrument will only pick up the sounds coming from the telephone.

When using the telecoil programme, the receiver of the telephone should be held as shown in the drawing. You may need to move the handset around slightly to find the best reception.



If you do not wish to have a telecoil programme, you may still use the phone while wearing your hearing instrument. Many hearing instruments will whistle (feedback) when in close proximity to a telephone. To reduce the potential for this problem, your hearing instrument is equipped with an adaptive digital feedback suppression (DFS) system which allows for use of the telephone while greatly reducing the chance of feedback. Hold the phone close to the hearing instrument, but not directly on it. If there is feedback, it may take a few seconds for the instrument to adapt.

Using the telephone, while wearing your hearing instrument, may require some practice.

## Using Assistive Listening (Tele-loop) Systems (optional on ITC & ITE)

Many gathering places are equipped with assistive listening (Tele-loop) systems, e.g. in schools, theaters and houses of worship. To take advantage of a Tele-loop system, select the telecoil programme. When the telecoil programme has been selected, you will be able to hear a clean sound signal via the Tele-loop system. If the instrument goes dead in the telecoil programme, this may be because the loop system is not operating. If a school, theater or house of worship does not have a Tele-loop system, try and sit as close as possible to the front.

## Repairs

If your GN ReSound hearing instrument malfunctions, it must be repaired by a qualified technician. Do not attempt to open the case of the hearing instrument since this would invalidate the warranty. If your GN ReSound hearing instrument requires service, please contact your hearing care professional for assistance.



## TROUBLESHOOTING GUIDE

SYMPTOM	CAUSE	POSSIBLE REMEDY
Dead	<ul style="list-style-type: none"> <li>• Not turned on</li> <li>• Battery low/dead</li> <li>• Battery improperly inserted</li> <li>• Blocked sound outlet</li> <li>• Blocked cerumen filter</li> </ul>	<ul style="list-style-type: none"> <li>• Turn on</li> <li>• Replace battery</li> <li>• Insert battery properly</li> <li>• Clean sound outlet</li> <li>• Change cerumen filter</li> </ul>
Not loud enough	<ul style="list-style-type: none"> <li>• Battery low</li> <li>• Instrument loose</li> <li>• Blocked sound outlet</li> <li>• Blocked cerumen filter</li> <li>• Change in hearing</li> <li>• Excessive ear wax</li> <li>• Volume set too low</li> </ul>	<ul style="list-style-type: none"> <li>• Replace battery</li> <li>• Reinsert carefully</li> <li>• Clean sound outlet</li> <li>• Change cerumen filter</li> <li>• Consult your hearing care professional</li> <li>• Consult your physician</li> <li>• Consult your hearing care professional</li> </ul>
Whistles	<ul style="list-style-type: none"> <li>• Instrument improperly inserted</li> <li>• Poorly fitting instrument</li> </ul>	<ul style="list-style-type: none"> <li>• Remove and reinsert</li> <li>• Consult your hearing care professional</li> </ul>
Not clear, Distorted	<ul style="list-style-type: none"> <li>• Battery low</li> <li>• Poorly fitting instrument</li> </ul>	<ul style="list-style-type: none"> <li>• Replace battery</li> <li>• Consult your hearing care professional</li> </ul>

If there are any other problems not mentioned in this guide, please contact your hearing care professional.

## General Precautions

- Consult a physician if you find a foreign object in your ear canal, if you experience skin irritation or if excessive ear wax accumulates with the use of the hearing instrument.
- Different types of radiation, e.g. from NMR or CT scanners, may damage the hearing instrument. Therefore, do not wear the hearing instrument during these or other corresponding scanning procedures. Other types of radiation (burglary alarms, room surveillance systems, radio equipment, mobile telephones, etc.) contain less energy and will not damage the hearing instrument. They could however momentarily affect the sound quality or create strange sounds from the hearing instruments.
- Warning: Do not wear the hearing instrument in mines or other explosive areas, unless those areas are certified for hearing instrument use.

## Technical Data

Maximum Output (2cc Coupler / IEC 60118-7)

10	108 dB SPL (Typical)
10-P	114 dB SPL (Typical)
10-BP	114 dB SPL (Typical)
30	111 dB SPL (Typical)
30-D	111 dB SPL (Typical)
30-DP	118 dB SPL (Typical)
40-D	121 dB SPL (Typical)
40-DP	125 dB SPL (Typical)
50-D	121 dB SPL (Typical)
50-DP	125 dB SPL (Typical)

## Key Word Index

Assistive listening (Tele-loop) systems	15
Battery change	10
Battery compartment	4,10
Cerumen/earwax	13
Cleaning the instrument	12,13
Environmental programmes	7
Insertion	9
Low battery warning	8
Maintenance	12,13
On/off function	7
Programme selector	4,6
Removal	10
SmartStart	8
Sound outlet	5,13
Stand-by mode	7
Telecoil use	14,15
Telephone use	14
Troubleshooting guide	16-17
User operated controls	4,6,8
Volume control	8



Please ask your local hearing care professional concerning disposal of your hearing instrument

Any issues relating to the EU Medical Device Directive 93/42/EEC should be directed to GN ReSound A/S.

**CE**  
0 2 9 7

Faceplate/Electronics by: GN ReSound A/S



# ReSound



rediscover hearing

## **Worldwide Headquarters**

GN ReSound A/S  
Lautrupbjerg 9  
DK-2750 Ballerup, Denmark  
Tel.: +45 45 75 11 11  
Fax: +45 45 75 11 19  
[www.gnresound-group.com](http://www.gnresound-group.com)

## **United Kingdom**

GN ReSound Ltd.  
1 Landscape Close  
Weston Business Park  
Weston-on-the-Green  
Oxon OX25 3SX  
Tel.: 0 1869 343 500  
Fax: 0 1869 343 466  
[www.gnresound.co.uk](http://www.gnresound.co.uk)

## **Australia**

GN ReSound Pty. Ltd.  
Unit R1 Regent Park Estate  
391 Park Road  
Regent Park NSW 2143  
Tel.: 02 9743 9707  
Fax: 02 9743 7472  
[www.gnresound.com.au](http://www.gnresound.com.au)

## **New Zealand**

GN ReSound (NZ) Ltd.  
12 Parkway Drive  
Mairangi Bay  
Auckland  
Tel.: (free) 0800 900 126  
Fax: (free) 0800 007 695  
[www.gnresound.co.nz](http://www.gnresound.co.nz)